



# Vertex Water Features

Lake Aeration Systems & Floating Fountains



B O T T O M   A E R A T I O N



## AIR 1 PLUS™

The Vertex Air 1 Plus™ is an inexpensive solution for small, 1-2 acre ponds with irregular shapes and depths that impede normal diffuser circulation. The Air 1 Plus has the same powerful compressor system and cabinet as our standard Air 1 system but includes a valve manifold and second CoActive AirStation for extra circulation. This additional AirStation can be placed in cove areas, finger canals, behind shallow sandbars or anywhere in the water body where the pond's shape or bottom contour will limit oxygen flow from a single diffuser.

The Air 1 Plus utilizes Vertex's MicronBubble™ technology allowing vital oxygen to be absorbed and poisonous gasses expelled. With no electricity in the water, Vertex's aeration systems are safe for any type of water recreation. Our systems have an industry leading two-year warranty plus a five-year warranty against rust and corrosion on the cabinet, five-year warranty on the AirStations™ and a 15-year warranty on BottomLine™ supply tubing.

## FEATURES

### COACTIVE AIRSTATION™

- ◆ Independently tested pumping rate, up to 5,800 GPM
- ◆ Two 9" flexible membrane discs with MicronBubble™ technology
- ◆ Self-cleaning, low maintenance & 5 year warranty
- ◆ Rugged EPDM construction
- ◆ Vacuum formed and sonic welded HDPE base unit
- ◆ Lipped edge prevents sinking into soft bottom sediments
- ◆ Five-year warranty

### BROOKWOOD™ COMPRESSOR

- ◆ Two-year Vertex warranty
- ◆ Vertex SafeStart™ Technology
- ◆ U.L., 115 volt, 30 PSI
- ◆ Thermal overload protection
- ◆ 1/3 hp for low electrical costs
- ◆ 2-3 year extended duty cycle

### QUIETAIR™ AIR 1 PLUS CABINET

- ◆ Class "A" GFCI protection on all circuits
- ◆ Powder coated aluminum for a durable attractive finish
- ◆ High capacity 140 CFM fan
- ◆ Easy access design with barrel lock for security
- ◆ Easy plug-in connection to waterside electrical service
- ◆ Heavy duty mounting pad included
- ◆ 5-year warranty

### BOTTOMLINE™ TUBING

- ◆ Over-sized 0.6" ID for high flow
- ◆ Heavy duty wall thickness for durability
- ◆ Self-weighted for easy installation
- ◆ Available in 100 feet increments
- ◆ 15-year Vertex warranty

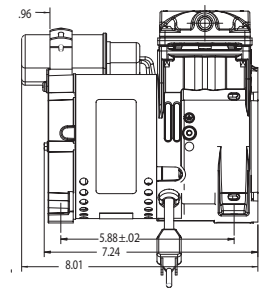
### BENEFITS TO THE LAKE

- ◆ High, independently tested pumping rate
- ◆ Entire water column circulated
- ◆ Increased oxygen levels throughout water column
- ◆ Elimination of low oxygen fish kills
- ◆ Reduced nutrient levels and associated algae growth
- ◆ Oxidized/reduced bottom muck
- ◆ Improved fisheries by expanding oxygenated habitat
- ◆ Reduced aquatic midge and mosquito insect hatches
- ◆ Elimination of foul odors from undesirable dissolved gasses
- ◆ Safe entry - no electricity in the water
- ◆ Extended warranties on all system components

# SPECIFICATIONS: AIR 1 PLUS™ LAKE AERATION SYSTEM

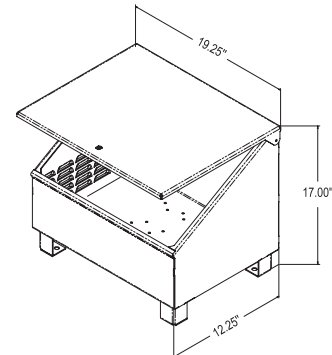
## BROOKWOOD™ COMPRESSOR

1/3hp, 115v, Single Phase piston type compressor. Built for continuous 24/7 operation and equipped with Vertex SafeStart™ technology allowing auto restart under maximum rated pressure without motor damage. Super-duty Brookwood™ compressors incorporate upgraded rotors, stators, valve plates, bearings and capacitors and are thermally protected, oil-free, and require no lubrication; just periodic cleaning of included washable air filter. Extended duty cycle is approximately 24 to 36 months for compressor maintenance, about 2 to 3 times the duty cycle of ordinary piston and rotary vane compressors. All Brookwood™ SafeStart™ compressors carry a two year warranty.



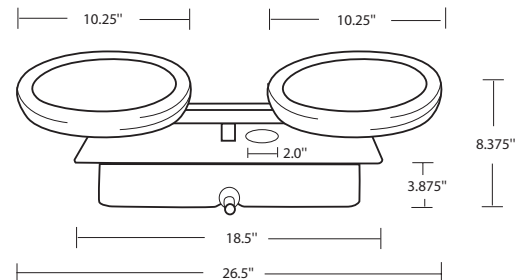
## QUIETAIR™ AIR 1 PLUS CABINET

Cabinet is constructed of aluminum with gray electrostatically bonded powder coating. Equipped with a stamped ventilation grill, engineered fan plenum, directed exhaust and an integral cooling fan producing 140 CFM to guard against excessive compressor operating temperatures. Cabinet comes equipped with Class "A" GFCI Protection on both the compressor and fan circuits. Two-year warranty on all cabinet components including compressor, cooling fan and GFI and a five-year warranty against cabinet rust and corrosion.



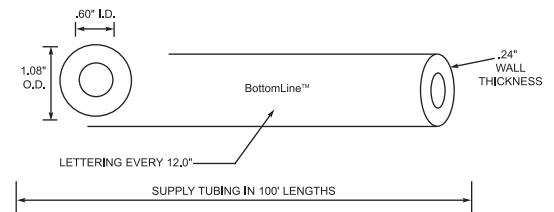
## CoACTIVE™ AIRSTATION™

Each CoActive AirStation™ consists of two self-cleaning, 9" diameter flexible membrane diffusers of EPDM compound with 100% rebound memory, each producing millions of fine 500 to 3000 micron bubbles. Each diffuser station is equipped with a vacuum-formed HDPE base; sonic spot-welded to provide unit integrity. Base unit (17.25"L x 13.25"W x 3.35"D) has a hollow chamber design for the addition of gravel ballast and a lipped design to prevent settling into soft bottom sediments. AirStations have been independently tested and verified to provide stated pumping rates. Five year warranty.



## BOTTOMLINE™ SUPPLY TUBING

Self-weighted, direct burial submersible tubing for connection from compressor to diffuser stations. Tubing is flexible PVC composite construction for use with standard PVC solvent weld cement and 0.5" insert fittings. Tubing has a smooth walled, 0.60" I.D. for extra high flow rates with minimum friction loss to reduce backpressure and extend compressor life. 0.24" tube wall thickness provides long-term durability and protection against kinking and punctures. BottomLine™ tubing remains flexible in cold temperatures allowing for easy year round installations.



(800) 432-4302 / Fax (954) 977-7877  
www.vertexwaterfeatures.com / e-mail: info@vertexwaterfeatures.com

Install all electrical equipment in accordance with Article 680 of the National Electrical Code and all local codes. Vertex Water Features reserves the right to improve and change our designs and/or specifications of our aerators without notice or obligation.  
© 2006 Vertex Water Features